

EASY | COST-EFFECTIVE | RELIABLE

 **battlestream**[®]
CLEAR WATER PUMPS



BattleStream | Introduction

BattleStream pumps are constructed to conform with the now widely accepted DIN 24255 (EN733:1995) standard which sets out an agreed hydraulic grid for pump performance and, at the same time, ensures this performance is achieved within precise dimensional standard.

To the end user, the advantages to be gained by specifying pumps constructed to the DIN 24255 standard are considerable and include the following:

- Simplification of design and tender procedures
- Savings in time and cost due to standardisation of pipework layouts
- Reduction in spares requirements
- Replacements available from a variety of sources, ensuring the user the best possible after-sales service

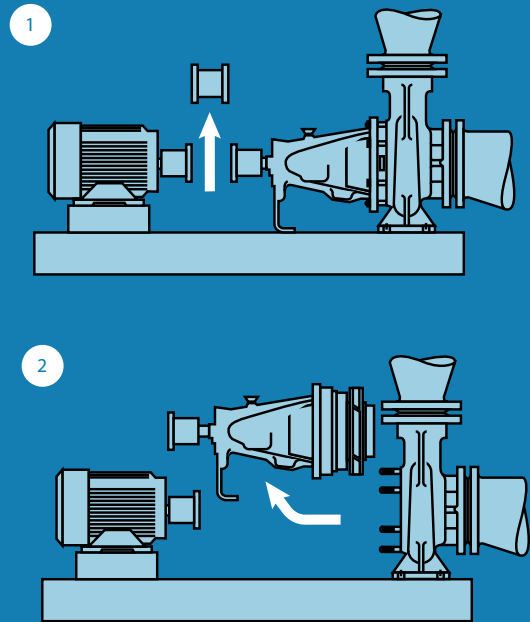
The **BattleStream** range of pumps is widely used for heating circulation duties, water boosting, irrigation, drainage and many other general applications for both clean or slightly contaminated, non corrosive liquids.

BattleStream is specially designed for industrial and general purpose users and is one of a comprehensive range of end suction products available. Each range is designed to meet the particular needs of the market it serves.

BACK PULL-OUT FACILITY

Maintenance made easy!

The **BattleStream** back pull-out facility allows the pump rotor and associated components to be removed without disturbance to the pipework. The motor can also remain in place if the space required to withdraw the pump rotor assembly is taken up with a spacer coupling.



Maintenance is therefore considerably simplified, both in terms of time and in the different trade skills required. After dismantling the support foot, connections to the volute casing and any cooling water or other lines, the complete pump motor assembly can be removed for servicing. On re-assembly any problems with coupling realignment are completely eliminated.

BattleStream | Specification

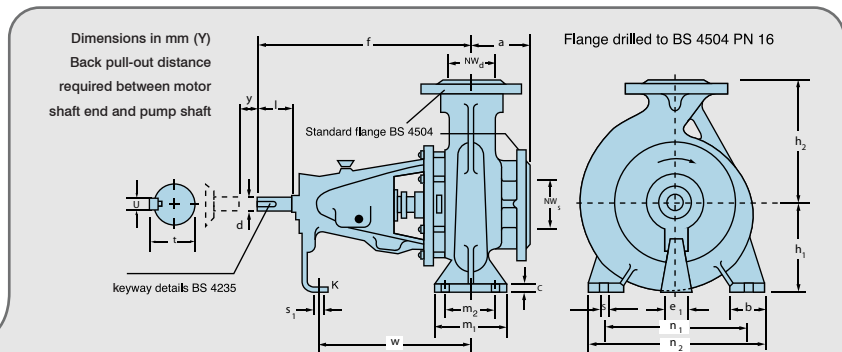
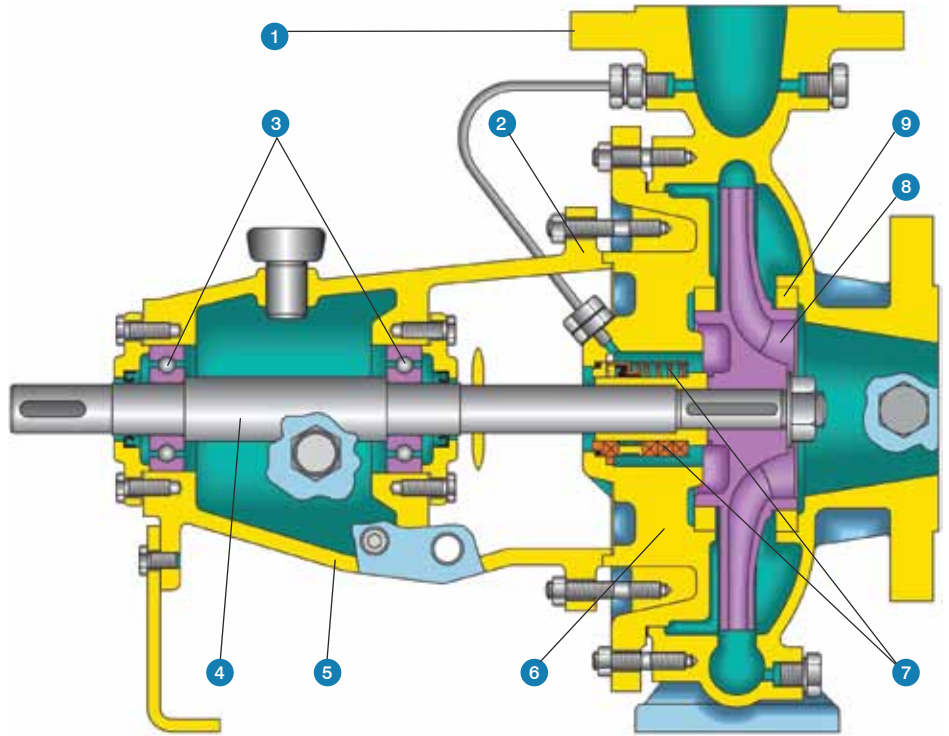
PARTS DESCRIPTION		PUMP SIZE																																
		QTY/PUMF	32/13	40/13	50/13	65/13	32/16	40/16	50/16	65/16	80/16	32/20	40/20	50/20	65/20	32/26	40/26	50/26	80/20	100/20	65/26	80/26	100/26	125/26	65/32	80/32	100/32	125/32	150/32	100/40	125/40	150/40		
		Shaft module 25															Shaft module 35										Shaft module 45							
		Interchangeability identity number																																
HYDRAULIC ASSEMBLY	Pump casing	1	1	2	3	4	5	6	7	8	9	10	11	12	13	14	15	16	17	18	19	20	21	22	23	24	25	26	27	28	29	30		
	Impeller	1	1	2	3	4	5	6	7	8	9	10	11	12	13	14	15	16	17	18	19	20	21	22	23	24	25	26	27	28	29	30		
	Support foot	1	1	1	2	3	2	2	3	3	4	3	3	3	4	4	4	4	3	4	4	4	5	6	5	6	6	7	7	8	8			
	Case wear ring	1	1	2	3	4	1	2	3	4	5	2	2	3	4	2	3	4	5	6	4	5	6	7	5	8	6	7	9	6	7	9		
	Back wear ring	1																							12	13	14	10	9	11	10	9		
BACK COVER PARTS	Casing cover	1	1	1	1	1	2	2	2	2	3	3	3	3	4	4	4	4	5	5	6	6	7	7	8	8	8	9	9	10	10	10		
	...water cooled	1	11	11	11	11	12	12	12	12	12	13	13	13	13	14	14	14	15	15	16	16	17	17	18	18	18	19	19	20	20	20		
	...mechanical seal	1	21	21	21	21	22	22	22	22	22	23	23	23	23	24	24	24	25	25	26	26	27	27	28	28	28	29	29	30	30	30		
	Lantern ring	1																																
	Gland	1																																
	Gland packing	4								1															2						3			
	Shaft sleeve	1																																
	Mechanical seal	1									1														2							3		
	Shaft sleeve	1								4														5							6			
BEARING HOUSING PARTS	Bearing housing	1	1	1	1	1	2	2	2	2	2	1	1	1	1	2	2	2	3	3	3		3	3	3	3	3	4	4	4	4	4		
	Bearing cover	2																																
	Shaft	1																																
	Coupling key	1																																
	Impeller key	1								1															2						3			
	Thrower	1																																
	Bearing	2																																
	Impeller nut	1																																
		Locking device	1																															

INTERCHANGEABILITY

STANDARDISED PUMPS

BattleStream | Features

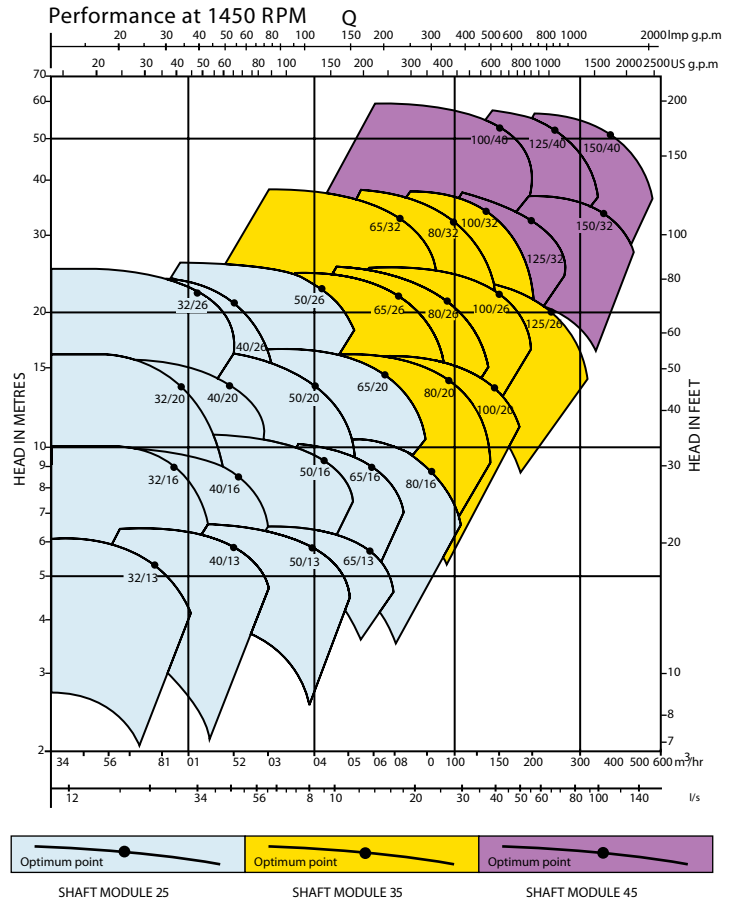
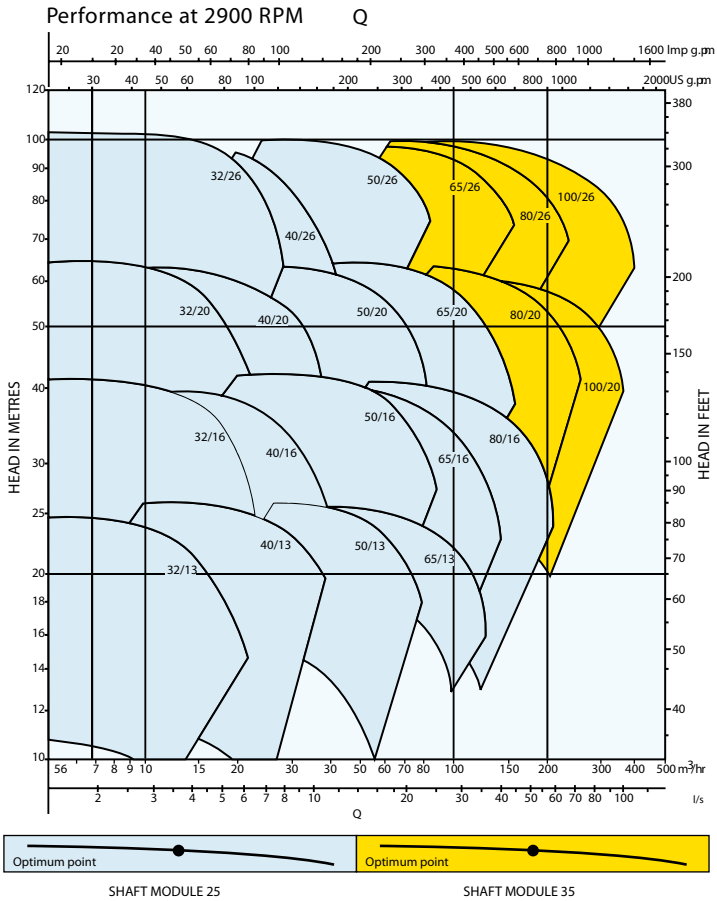
- 1 Cast iron volute with integrally cast feet.
- 2 Back pull-out facility permits removal of back cover, stuffing box and impeller without disturbance of suction and delivery pipework. Drive motor can also remain in place if a spacer coupling is fitted.
- 3 Shaft carried in oil lubricated rolling contact bearings.
- 4 Only three shaft modules cover the entire range and all pumps common to one shaft module have identical bearings, shaft sleeves, seals and impeller fastenings.
- 5 Cast iron bearing housing secured to cover plate and volute. Only three sizes cover the entire range.
- 6 For liquid temperatures above 105°C and up to 160°C, a gland cooling chamber can be formed through the addition of a cover plate.
- 7 Shaft sealing by soft packed gland or mechanical seal each with a stainless steel shaft sleeve. Component or cartridge seals are available as an option.
- 8 Double shrouded design of impeller with back balancing vanes or, on larger diameters, hydraulically balanced by incorporating replaceable wear rings.
- 9 Replaceable wear rings fitted to all volutes and also to back covers of larger pumps.



TYPE	SHAFT MODEL SIZE	PUMP MEASUREMENTS							FOOT DIMENSIONS											SHAFT END MEASUREMENTS				DISTANCE Y
		NW _d	NW _s	a	f	h ₁	h ₂	b	c	m ₁	m ₂	n ₁	n ₂	s	e ₁	s ₁	w	d	l	t	u			
32/13	25	32	50	80	360	112	140	50	14	100	70	190	140	14	100	14	267	24	50	27	8	140		
32/16	25	32	50	80	360	132	160	50	14	100	70	240	190	14	100	14	267	24	50	27	8	140		
32/20	25	32	50	80	360	160	180	50	14	100	70	240	190	14	110	14	267	24	50	27	8	140		
32/26	25	32	50	100	360	180	225	65	14	125	95	320	250	14	110	14	267	24	50	27	8	140		
40/13	25	40	65	80	360	112	140	50	14	100	70	210	160	14	100	14	267	24	50	27	8	140		
40/16	25	40	65	80	360	132	160	50	14	100	70	240	190	14	100	14	267	24	50	27	8	140		
40/20	25	40	65	100	360	160	180	50	14	100	70	265	212	14	110	14	267	24	50	27	8	140		
40/26	25	40	65	100	360	180	225	65	14	125	95	320	250	14	110	14	267	24	50	27	8	140		
50/13	25	50	65	100	360	132	160	50	14	100	70	240	190	14	100	14	267	24	50	27	8	140		
50/16	25	50	65	100	360	160	180	50	14	100	70	265	212	14	110	14	267	24	50	27	8	140		
50/20	25	50	65	100	360	160	200	50	14	100	70	265	212	14	110	14	267	24	50	27	8	140		
50/26	25	50	65	100	360	180	225	65	14	125	95	320	250	14	110	14	267	24	50	27	8	140		
65/13	25	65	80	100	360	160	180	65	14	125	95	280	212	14	110	14	267	24	50	27	8	140		
65/16	25	65	80	100	360	160	200	65	14	125	95	280	212	14	110	14	267	24	50	27	8	140		
65/20	25	65	80	100	360	180	225	65	14	125	95	320	250	14	110	14	267	24	50	27	8	140		
65/26	35	65	80	100	470	200	250	80	16	160	120	360	280	18	110	14	342	32	80	35	10	140		
65/32	35	65	80	125	470	225	280	80	16	160	120	400	315	18	110	14	342	32	80	35	10	140		
80/16	25	80	100	125	360	180	225	65	14	125	95	320	250	14	110	14	267	24	50	27	8	140		
80/20	35	80	100	125	470	180	250	65	14	125	95	345	280	14	110	14	342	32	80	35	10	140		
80/26	35	80	100	125	470	200	280	80	16	160	120	400	315	18	110	14	342	32	80	35	10	140		
80/32	35	80	100	125	470	250	315	80	16	160	120	400	315	18	110	14	342	32	80	35	10	140		
100/20	35	100	125	125	470	200	280	80	16	160	120	360	280	18	110	14	342	32	80	35	10	140		
100/26	35	100	125	140	470	225	280	80	16	160	120	400	315	18	110	14	342	32	80	35	10	140		
100/32	35	100	125	140	470	250	315	80	16	160	120	400	315	18	110	14	342	32	80	35	10	140		
100/40	45	100	125	140	530	280	355	100	18	200	150	500	400	23	110	14	370	42	110	45	12	140		
125/26	35	125	150	140	470	250	355	80	16	160	120	400	315	18	110	14	342	32	80	35	10	140		
125/32	45	125	150	140	530	280	355	100	18	200	150	500	400	23	110	14	370	42	110	45	12	140		
125/40	45	125	150	140	530	315	400	100	18	200	150	500	400	23	110	14	370	42	110	45	12	140		
150/32	45	150	200	160	530	280	400	100	18	200	150	550	450	23	110	14	370	42	110	45	12	140		
150/40	45	150	200	160	530	315	450	100	18	200	150	550	450	23	110	14	370	42	110	45	12	140		

DIMENSIONS

BattleStream | Performance



STANDARD MATERIAL OPTIONS		
PUMP PART	CODE D	CODE E
Casing	Cast iron	Cast iron
Impeller	Cast iron	Bronze
Wear ring	Cast iron	Bronze
Shaft	High tensile steel	High tensile steel
Shaft sleeve	Stainless steel	Bronze
Lantern ring	Cast iron	Bronze
Gland	Cast iron	Bronze
PUMP PART	CODE F	CODE J
Casing	Cast iron	Cast iron
Impeller	Bronze	Bronze
Wear ring	Cast iron	Cast iron
Shaft	High tensile steel	Stainless steel
Shaft sleeve	Stainless steel	Stainless steel
Lantern ring	Cast iron	Cast iron
Gland	Cast iron	Cast iron

MAXIMUM PERFORMANCE		
	2900 rpm	1450 rpm
Capacity (max.)	100 l/s	150 l/s
Differential Head (max.)	100 m	55 m
Suitable for use on 60 cycle electrical supply		
Rotation: Clockwise, looking on shaft end		
Net Positive Suction Head requirements are generally low, thus allowing relatively high suction lifts.		
(See individual performance curves)		
Maximum with uncooled, packed gland	105°C	
Maximum with cooled, packed gland	160°C	
Maximum with mechanical seal	Dependent on type of seal	
Minimum	-10°C	
Maximum up to 120	10 bar	
Higher pressures and temperatures on application		

Pump and Abrasion Technologies (Pty) Ltd.

Reg. No.: 2013/114441/07 (est. 2004)

299 Barolong Street, Icon Industrial Park, Sunderland Ridge, Centurion

P.O. Box 54767, Wierda Park, 0149, Centurion, South Africa

Tel: +27 (0) 12 666-0904/5 | Fax: +27 (0) 86 617 9407

Email: info@pumpab.co.za

Website: www.pumpandabrasion.co.za

Rustenburg Branch

Unit 3, River Industrial Park, Tiger Fish Street, Waterfall East Ext. 5

Tel: 014 592 6231

Email: rustenburg@pumpab.co.za

Middelburg Branch

32 Celsius Street, Meltin Business Park, Middelburg Industria

Tel: 087 943 6423

Email: middelburg@pumpab.co.za

